

Date _____
 AVFI Sales REP _____
 Customer Signature _____

Quote No. _____
 Customer No. _____
 AVFI No. _____

Office Use Only

To generate your order form, please refer to the information provided below to insert the alphabetic and/or numeric code in the respective category boxes. Please note that without this filled out Order Form, your purchase **cannot** be processed.

1	2	3	4
Product Model	Finish	Chargeable Accessories	Custom Cutouts
Please fill selection MOD#- _____			

1 Product Model

MOD2955-F
Seat Height

MOD3755-O
Counter Height

2 Choose Product Finish

Standard Finishes (Ships within 1-15 business days)

MCT HCT CLT AST AMT SBT WLT SST

EBT SGT CWT

3 Chargeable Add-ons (Check all that apply)

Code 0 No Accessories	
Code X1 MOD29-A Series 10U Rack 20" Depth - A Top	Qty:
Code X2 MOD29-A EXT Series 10U Rack 23" Depth - A Top	Qty:
Code X3 MOD29-B Series 10U Rack 20" Depth - B Top	Qty:
Code X4 MOD29-B EXT Series 10U Rack 23" Depth - B Top	Qty:
Code X5 MOD37-J Series 14U Rack 20" Depth - A Top	Qty:
Code X6 MOD37-J EXT Series 14U Rack 23" Depth - A Top	Qty:
Code X7 MOD37-K Series 14U Rack 20" Depth - B Top	Qty:
Code X8 MOD37-K EXT Series 14U Rack 23" Depth - B Top	Qty:
Code T1 MOD-RC Series Round Corner	Qty:
Code T2 MOD-SC Series Square Corner	Qty:
Code T3 MOD-02 Series Round Desk End	Qty:
Code T4 MOD-00 Series Dual Rack Desk End	Qty:
Code T0 MOD-LS Series Lower Shelf	Qty:
Code T7 MODU-P2 Modesty Panel	Qty:

3 Chargeable Accessories (Check all that apply)

* Code EF CHGQIB Wireless Charging Station Black	Qty:
Code K1 C900S Single Monitor Arm	Qty:
Code K2 C900D Dual Monitor Arm	Qty:
* Code P2 PCH730 PC Holder	Qty:
* Code K3 PLM1022 LCD Monitor Mount	Qty:
* Code D3 FM3 Countdown Timer and Clock	Qty:
* Code D2 LIGHT-18 Adjustable Gooseneck Light	Qty:
* Code E3 CUB3 Round Cable Well	Qty:
* Code E5 CUB5 Black Round Cable Well	Qty:
* Code E6 CUB5 Silver Round Cable Well	Qty:
* Code E8 CUB8 Table Top Cable Well	Qty:
* Code EA CUB4S Silver Power Panel	Qty:
* Code EB CUB4B Round Cable Well	Qty:
* Code EJ CUB22 Black 3 Module Panel	Qty:
* Code EK CUBM3 3 Module Power & Data Panel	Qty:
* Code EL CUBM4 4 Module Power & Data Panel	Qty:
* Code D1 MIC-18 Gooseneck Microphone	Qty:
Code M10 FWM100 VESA Mounting Bracket	Qty:
Code P10 50CAS Easy Maneuvering Casters	Qty:
Code EB PB12 12-Outlet 125V Powerbar	Qty:
Code E1 PB 6 Outlet Power Bar	Qty:
Code	Qty:
Code	Qty:

* **Cutout Required** (Extra Charges will apply)
 § Only on Flat Cutout

All add-on options will be provided with the same finish specified in this order form. If alternative finish or accessories are required specifically for the add-on unit, please contact our sales team or visit our website for more information.

Date _____
AVFI Sales REP _____
Customer Signature _____

Quote No. _____
Customer No. _____
AVFI No. _____

OFFICE USE ONLY

Office Use Only

Comments (Please use this section to provide additional information)

Notes

CAD Drawings/Symbols

CAD drawings are available by request at sales@vegroup.net

Custom Cutouts

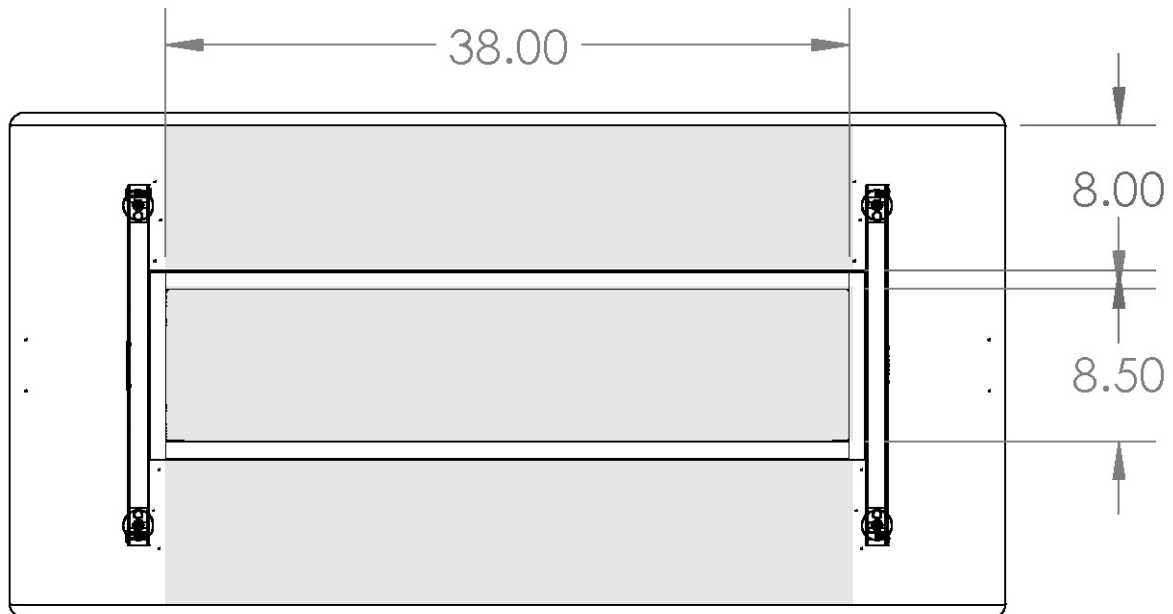
Estimated lead time within 20 business days from receipt of P.O. and signed drawings.

Customizations

Modifications to design such as shape and/or size variations have to be quoted on a per case basis and are applicable for quantities of 10+ only.

Please indicate custom cutout location on the drawing(s) below

4 Custom Cutout Option (Extra charges will apply)



Code **CO** No Custom Cutout

Code **CC** Custom Cutout (Specify on Cutout Area Above)

■ Cutout Area - Work Surface